

WALL & ROOF LINER PANEL TABLE OF CONTENTS

Wall & Roof Liner Panel Table of Contents 1

General Information 2

 IA0070 – Liner Panel Erection Note 3

 AG0130 – Flange Brace @ Purlin And Rafter W/ Liner..... 4

 IA0040 – Post And Beam Endwall Corner Column (Classic Wall) 5

 IA0010 – Panel Termination @ Interior Columns (Classic Wall) 6

 IE0040 – Wall & Roof Liner @ Bypass Post And Beam Endwall 7

 IE0041 – Wall & Roof Liner @ Flush/Inset Post And Beam Endwall 8

 IE0010 – Wall Liner @ Rigid Frame Endwall 9

 IE0030 – Wall & Roof Liner @ Rigid Frame Endwall 10

 ID0010 – Low Eave Detail 11

 ID0060 – High Eave Detail 12

 ID0050 – Low Eave W/ Wall & Roof Liner 13

 IF0010 – Ridge Liner Panel Detail 14

 GA0052 – Classic Wall – Siding Lap..... 15

 IA0080 – Roof Liner Panel Lap Detail 16

 IC0020 – Finished Floor Base Detail W/ Base Channel 17

 IC0010 – Finished Floor Base Detail W/ Base Angle 18

 IC0040 – Curb Wall W/ Base Channel 19

 ID0100 – Cap Trim @ Partial Height Wall Liner 20

 IG0050 – Framed Opening Jamb Detail @ Classic Liner..... 21

 IG0090 – Framed Opening Header Detail @ Liner Panel 22

 IG0100 – Framed Opening Sill Detail @ Liner Panel 23

 IG0080 – Header Detail @ Flat Stock Liner 24

GENERAL INFORMATION

1. The standard wall and ceiling liner panel configuration is 28 gauge Nucor Classic Wall™ profile panel painted Polar White (Silicone Polyester).
2. Wall and ceiling liner panels are also available in 26 gauge in Nucor Classic Wall™, Nucor Accent Wall™ or Nucor Reverse Classic Wall™ panel profiles in the same colors and finishes as standard wall panel.
3. Indicate wall and ceiling liner locations in the appropriate location(s) of the order documents or on the sketch at time of order entry.

Wall Liner Panel Notes:

For wall liner panel, the following are Nucor Building Systems standards:

1. Jamb trim is supplied at columns and the roof line.
2. Base trim is supplied as specified on the order documents.
3. Cap trim is supplied as specified on the order documents.
4. Wall liner panel may be full height or partial height. The Nucor Building Systems standard partial height wall liner panel height is panel to 8'-0" above finish floor.
5. If liner panel height is other than 8'-0 or full height, an additional girt run may be required to support the top of the liner panel. Contact your engineering team if assistance is needed.

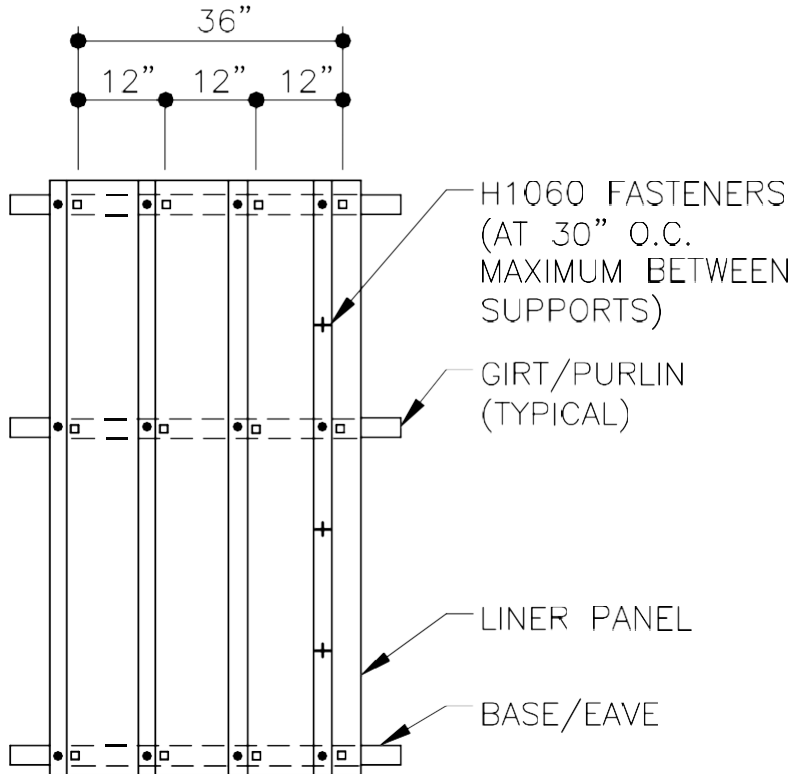
Roof Liner Panel Notes:

1. Full roof liner is typically not allowed on projects with roof joists.
2. Roof liner panel has no affect on purlin bracing requirements for Classic Roof™, CFR™ or VR16 II™ standing seam, or Insulated Metal Panel roof systems.
3. Roof liner panel is typically shipped in maximum 20'-0 lengths for ease of erection. Longer lengths are available as noted in the order documents.

IA0070 – LINER PANEL ERECTION NOTE

ERECTOR NOTE:

THE ERECTION OF THE LINER PANEL MUST BE COORDINATED PROPERLY WITH THE BRACING AND BRACE STRUTS TO ENSURE PROPER FIT-UP. IT IS THE ERECTOR'S RESPONSIBILITY TO ENSURE THAT THE STRUCTURE IS ADEQUATELY BRACED DURING THE ERECTION PROCESS. TEMPORARY REMOVAL OF BRACING AND BRACE STRUTS IS ACCEPTABLE FOR LINER PANEL ERECTION, PROVIDED ADEQUATE TEMPORARY BRACING IS USED.



FASTENER CHART

- + STITCH FASTENER H1060
- STRUCTURAL FASTENER H1040 AT "CLASSIC" PANEL
- STRUCTURAL FASTENER H1040 AT "REVERSE CLASSIC" H1040 AT "ACCENT" PANEL

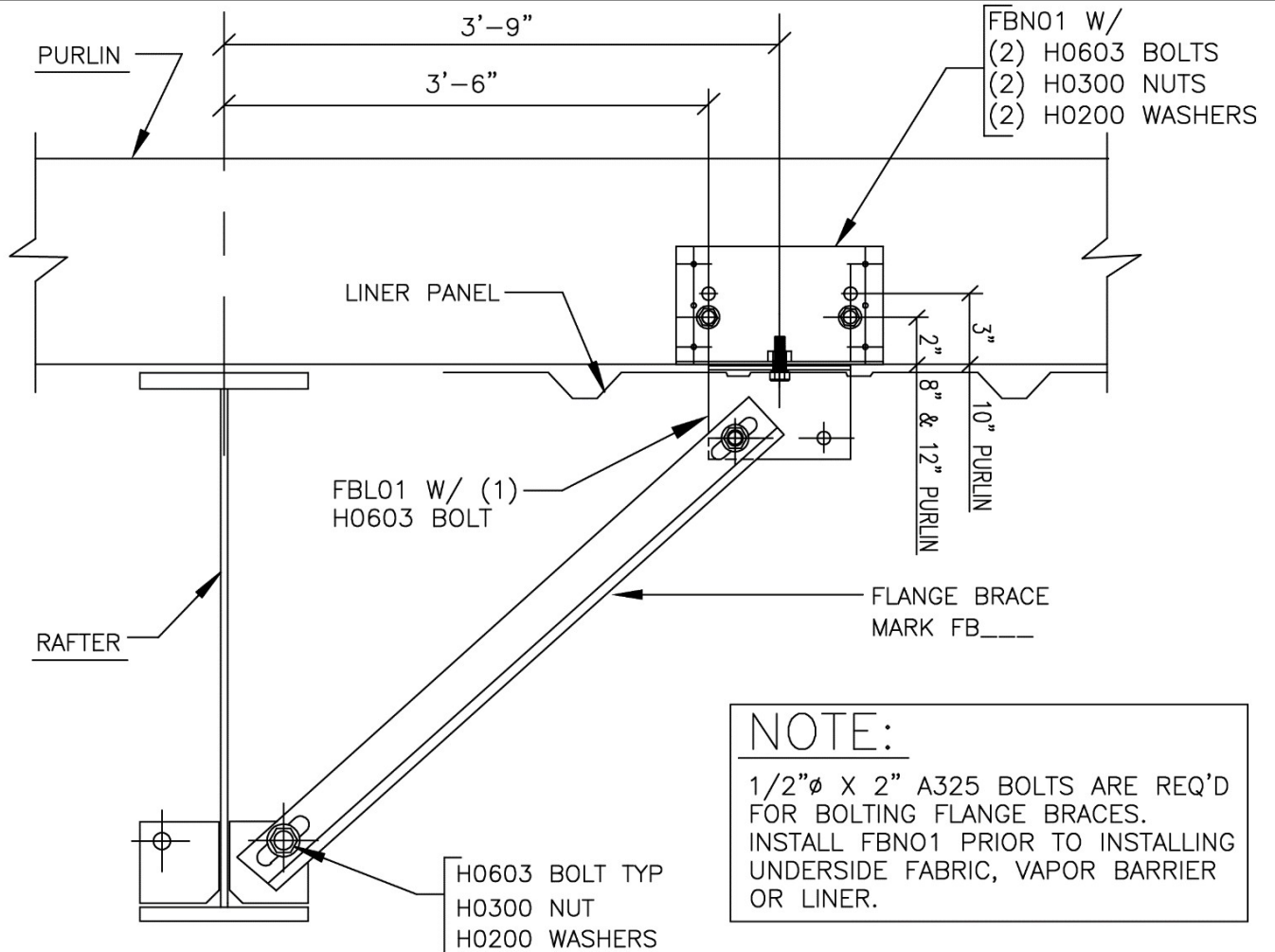
IA0070

WALL AND CEILING LINER PANEL ERECTION NOTES

(PANELS 36" NET LAY)

AG0130 – FLANGE BRACE @ PURLIN AND RAFTER W/ LINER

NOTE: FIELD DRILL HOLE IN LINER PANEL AT THROUGH BOLT LOCATIONS.
FIELD CUT &/OR FLATTEN PANEL RIB IF INTERFERENCE WITH FLANGE BRACE CLIP OCCURS

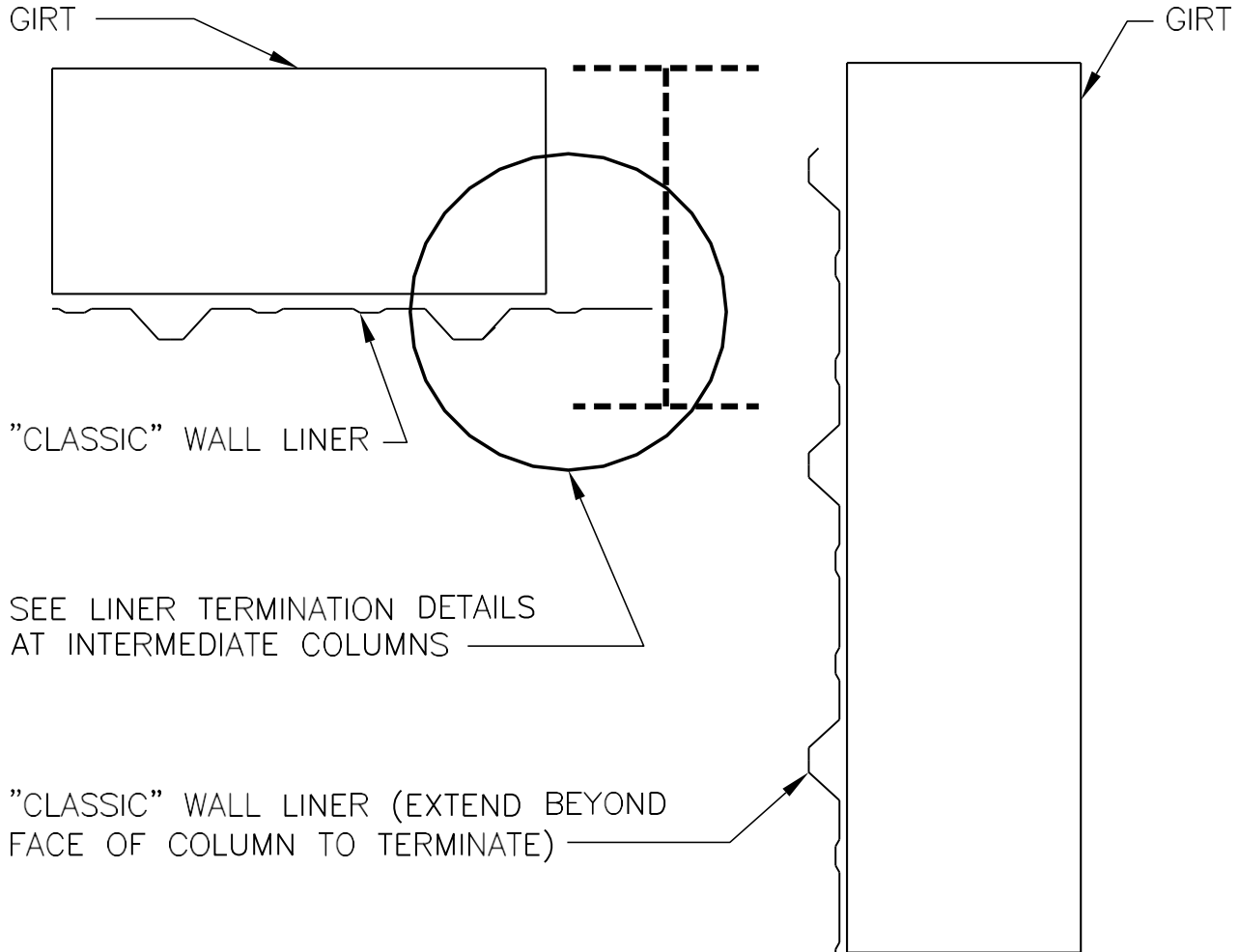


AG0130

TYP FLANGE BRACE @ PURLIN & RAFTER

NOTES: SEE PLANS AND ELEVATIONS FOR FLANGE BRACE PART MARKS

IA0040 – POST AND BEAM ENDWALL CORNER COLUMN (CLASSIC WALL)

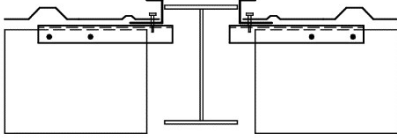
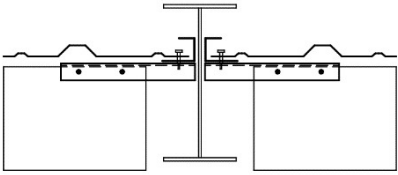
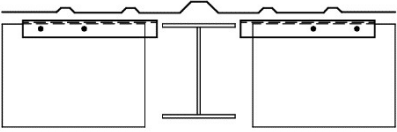
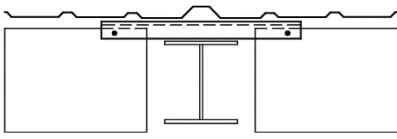
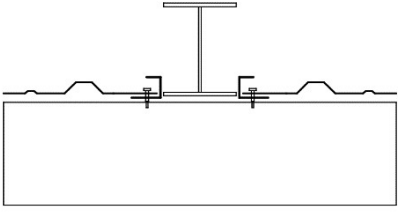
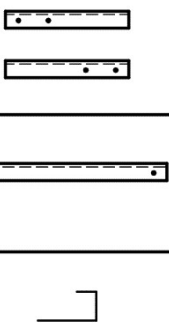
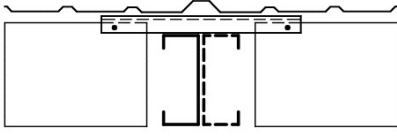
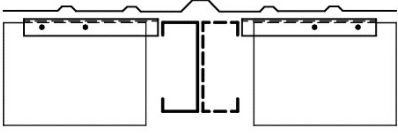
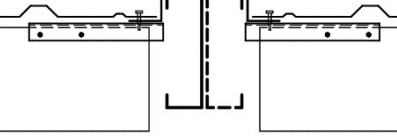
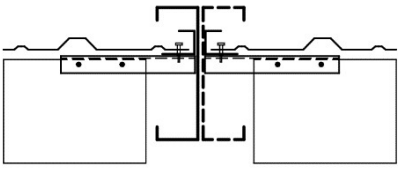
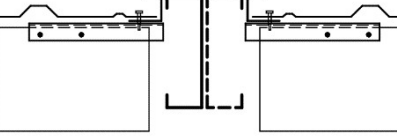
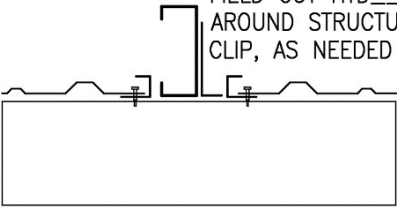


"CLASSIC" LINER INSIDE CORNER

PANEL TERMINATION AT CORNER COLUMNS

IA0040

IA0010 – PANEL TERMINATION @ INTERIOR COLUMNS (CLASSIC WALL)

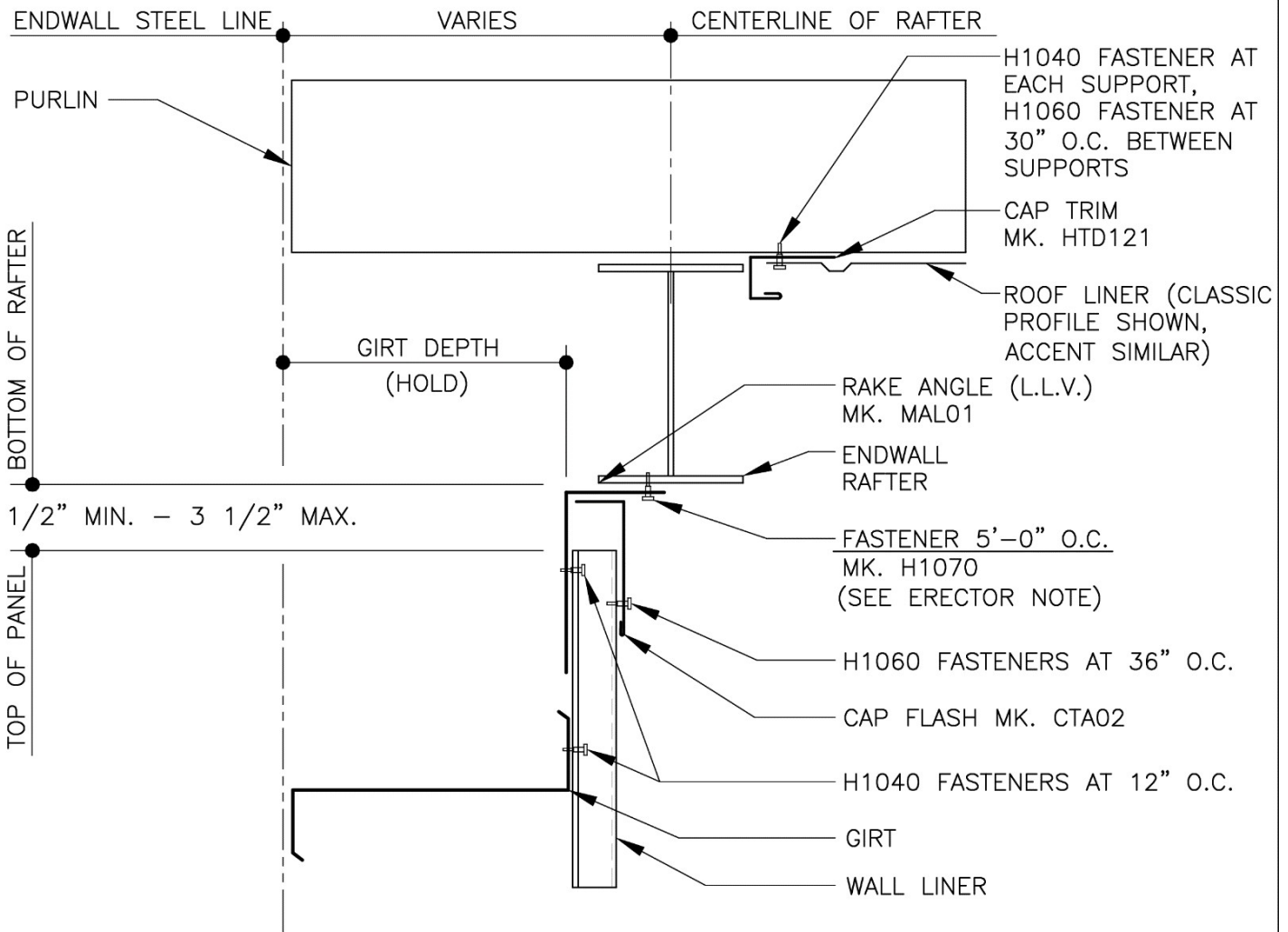
 <p>BUILT UP COLUMN (FLANGE EXTENDS PAST INSIDE FACE OF GIRT)</p>	 <p>BUILT UP COLUMN (FLANGE EXTENDS PAST INSIDE FACE OF GIRT)</p>	 <p>BUILT UP COLUMN (FLANGE FLUSH TO INSIDE FACE OF GIRT)</p>
 <p>BUILT UP COLUMN (FLANGE INSET TO INSIDE FACE OF GIRT)</p>	 <p>BUILT UP COLUMN OR RAFTER (GIRT OR PURLIN BYPASSES FRAME)</p>	<p>PARTS LEGEND</p>  <p>MAG01 GIRT ANGLE WITH (2) H1020 FASTENERS</p> <p>MAG02 GIRT ANGLE WITH (2) H1020 FASTENERS</p> <p>HTD____ H1040 EACH SUPPORT, H1060 30" O.C. BETWEEN</p>
 <p>SINGLE OR DOUBLE CEE COLUMN (FLANGE INSET TO INSIDE FACE OF GIRT)</p>	 <p>SINGLE OR DOUBLE CEE COLUMN (FLANGE FLUSH TO INSIDE FACE OF GIRT)</p>	
 <p>SINGLE OR DOUBLE CEE COLUMN (FLANGE EXTENDS PAST INSIDE FACE OF GIRT)</p>	 <p>SINGLE OR DOUBLE 12" CEE COLUMN (FLANGE EXTENDS PAST INSIDE FACE OF GIRT)</p>	
 <p>SINGLE CEE COLUMN (GIRT BYPASSES FRAME)</p>		 <p>FIELD CUT HTD____ AROUND STRUCTURAL CLIP, AS NEEDED</p>
<p>"CLASSIC" LINER TERMINATION DETAILS AT INTERMEDIATE COLUMNS</p>		

IA0010

IA0010

IE0040 – WALL & ROOF LINER @ BYPASS POST AND BEAM ENDWALL

ERECTOR NOTE: WHEN FLANGE THICKNESS EXCEEDS 1/2", A 3/16" PILOT HOLE IS REQUIRED AT RAKE ANGLE TO RAFTER ATTACHMENT.



LINER PANEL AT RAKE DETAIL

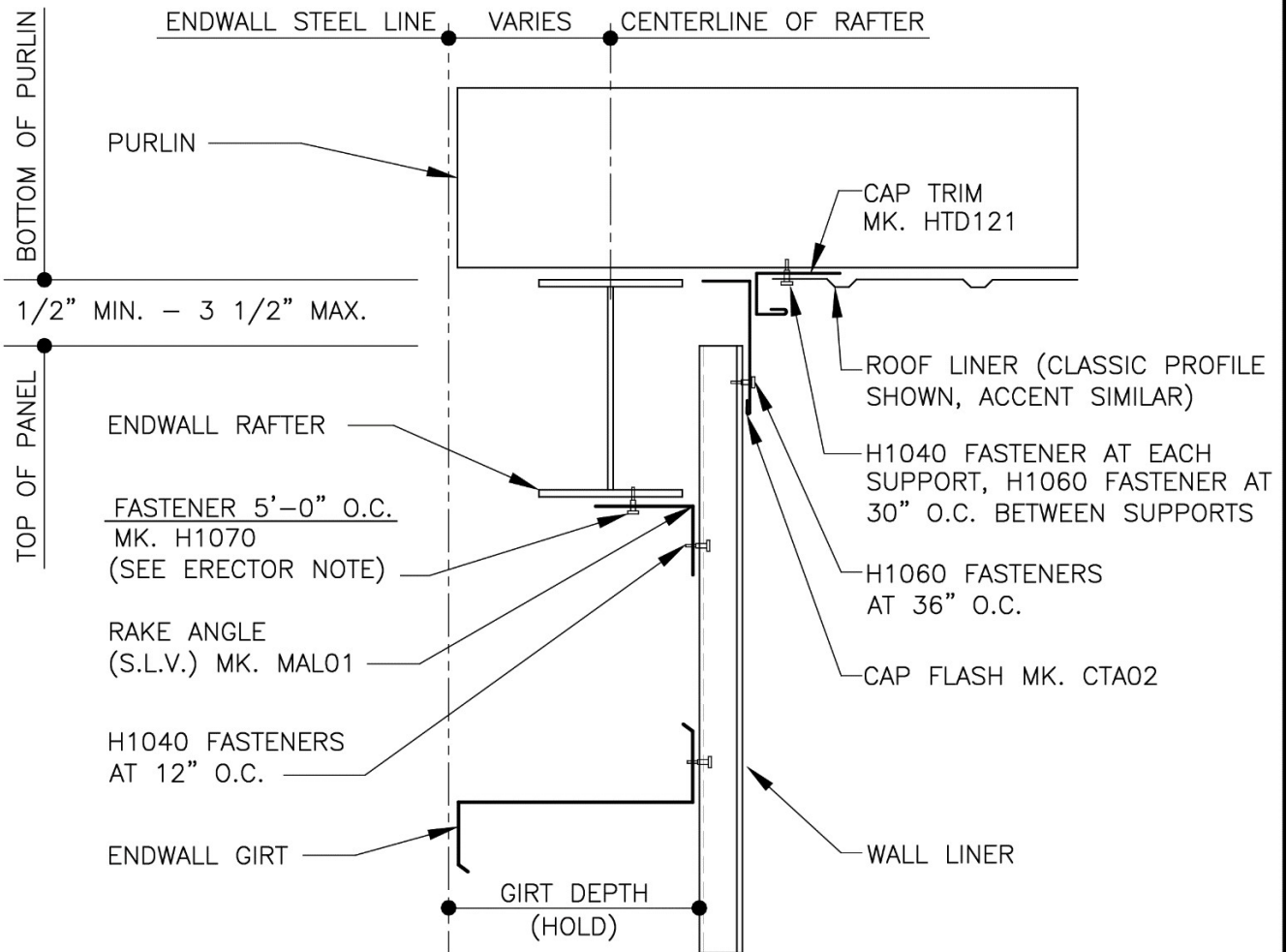
FULL HEIGHT WALL LINER AT BYPASS ENDWALL GIRTS WITH CEILING LINER (POST AND BEAM ENDWALL)

IE0040

IE0040

IE0041 – WALL & ROOF LINER @ FLUSH/INSET POST AND BEAM ENDWALL

ERECTOR NOTE: WHEN FLANGE THICKNESS EXCEEDS 1/2", A 3/16" PILOT HOLE IS REQUIRED AT RAKE ANGLE TO RAFTER ATTACHMENT.



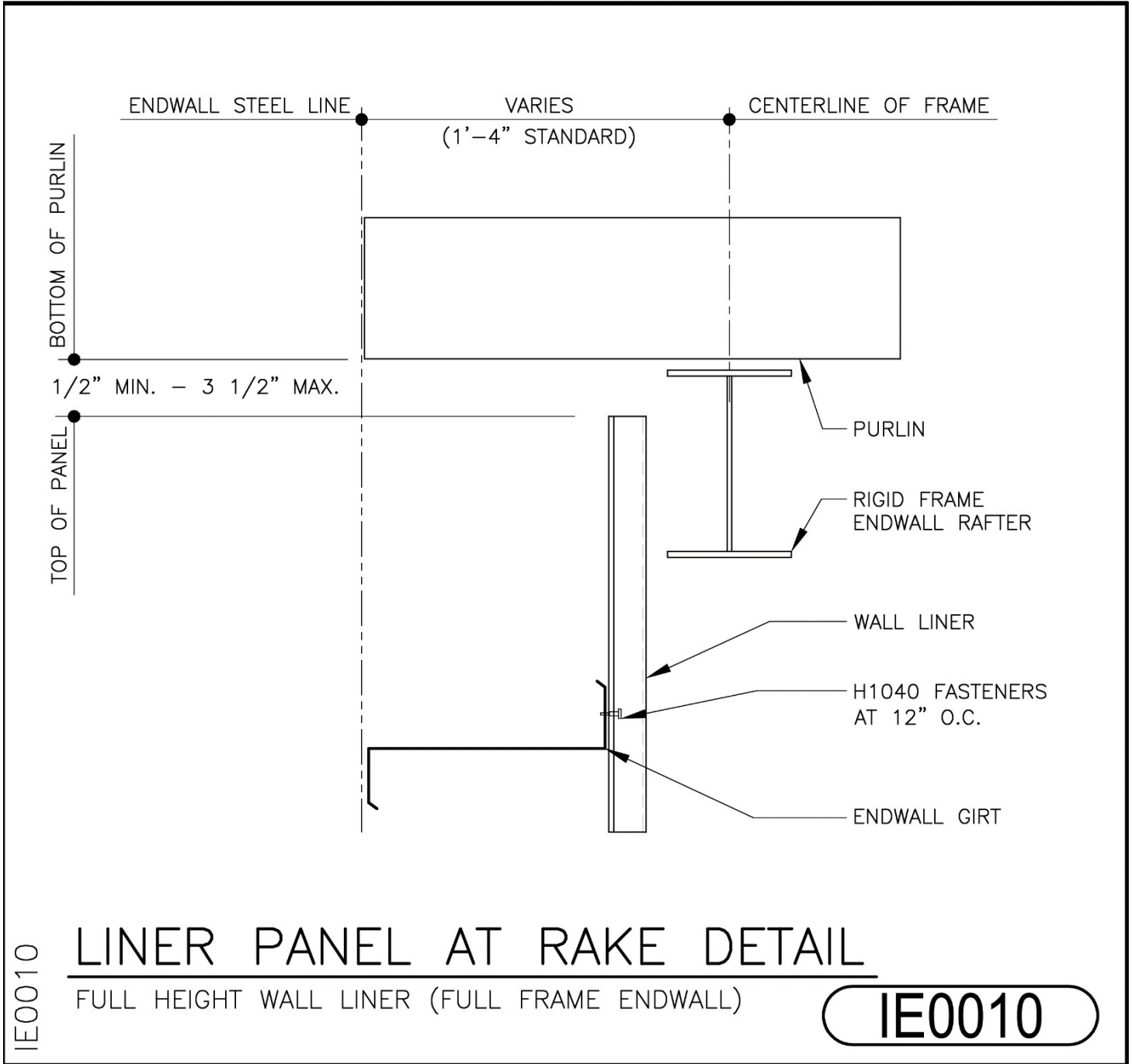
LINER PANEL AT RAKE DETAIL

FULL HEIGHT WALL LINER AT INSET/FLUSH GIRTS WITH CEILING LINER (POST AND BEAM ENDWALL)

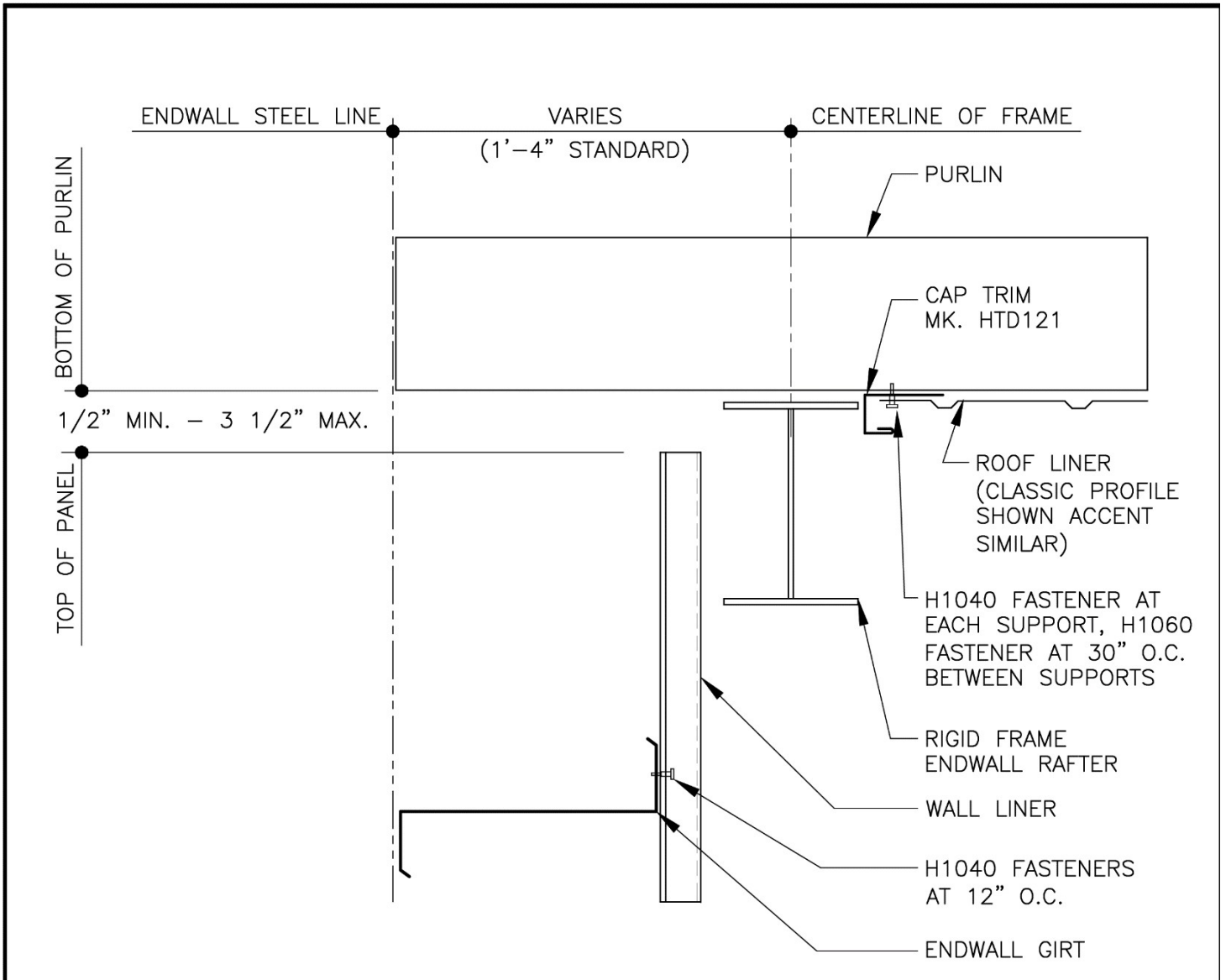
IE0041

IE0041

IE0010 – WALL LINER @ RIGID FRAME ENDWALL



IE0030 – WALL & ROOF LINER @ RIGID FRAME ENDWALL



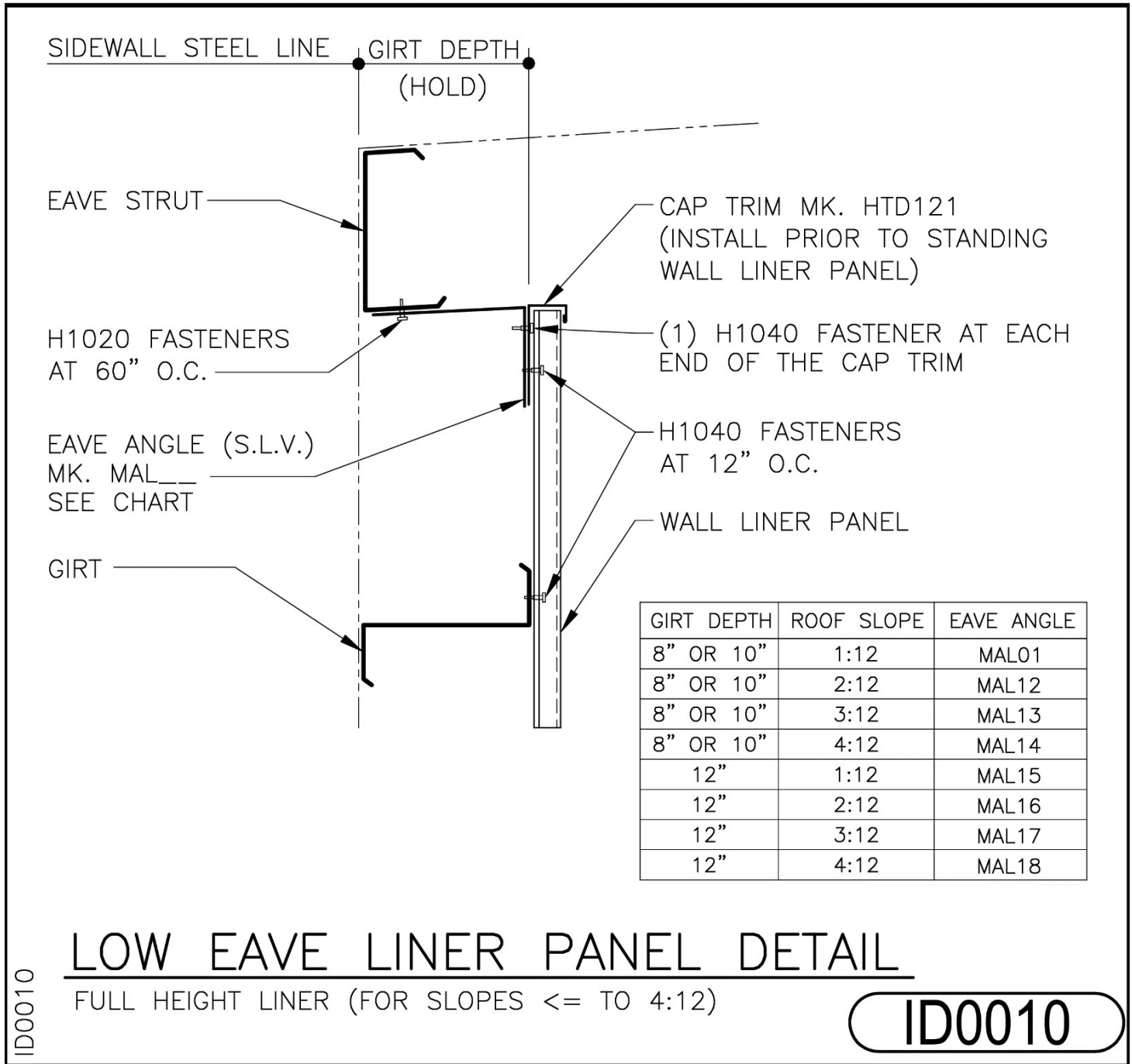
LINER PANEL AT RAKE DETAIL

FULL HEIGHT WALL LINER (FULL FRAME ENDWALL)
WITH CLASSIC OR ACCENT CEILING LINER

IE0030

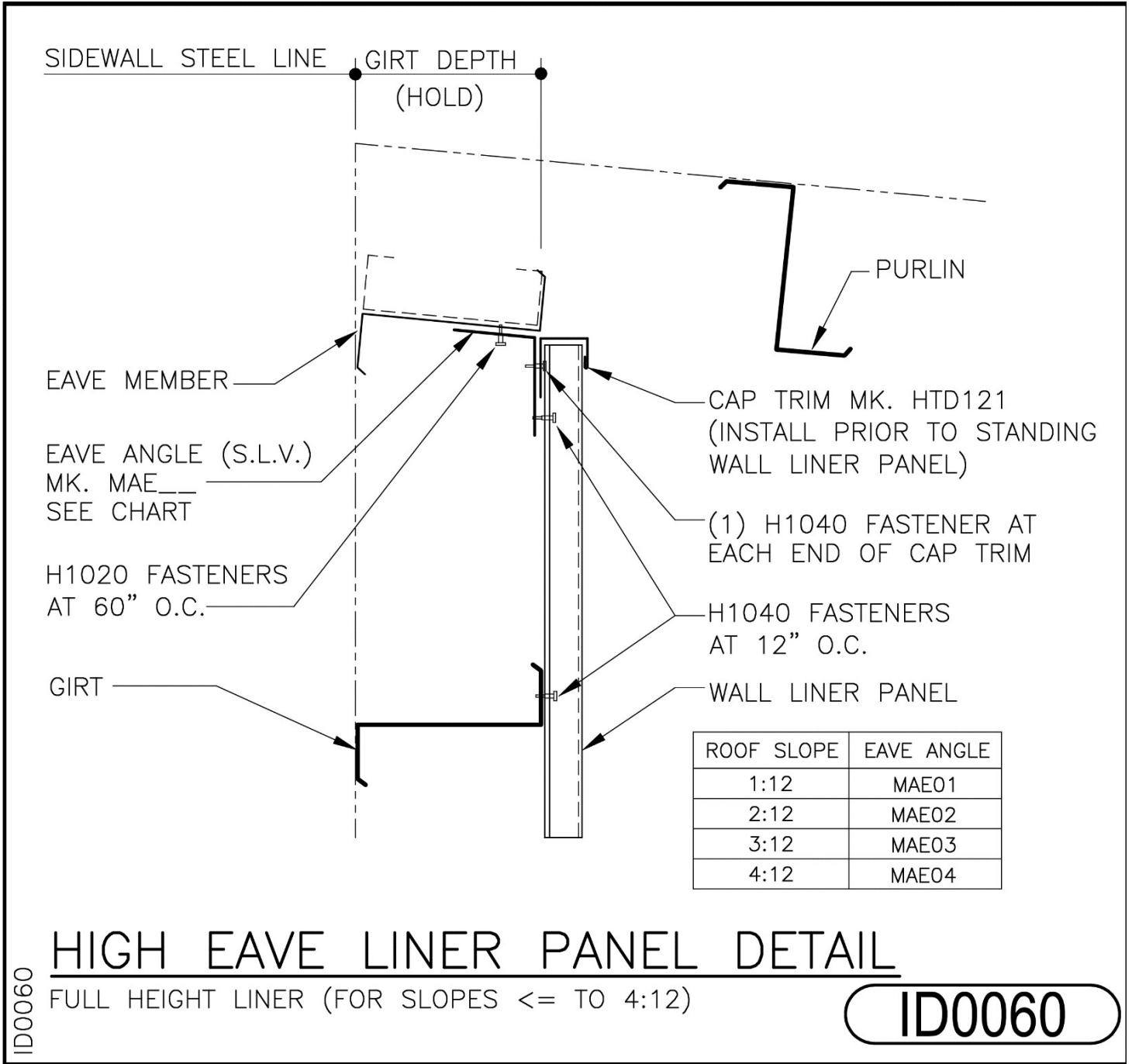
IE0030

ID0010 – LOW EAVE DETAIL

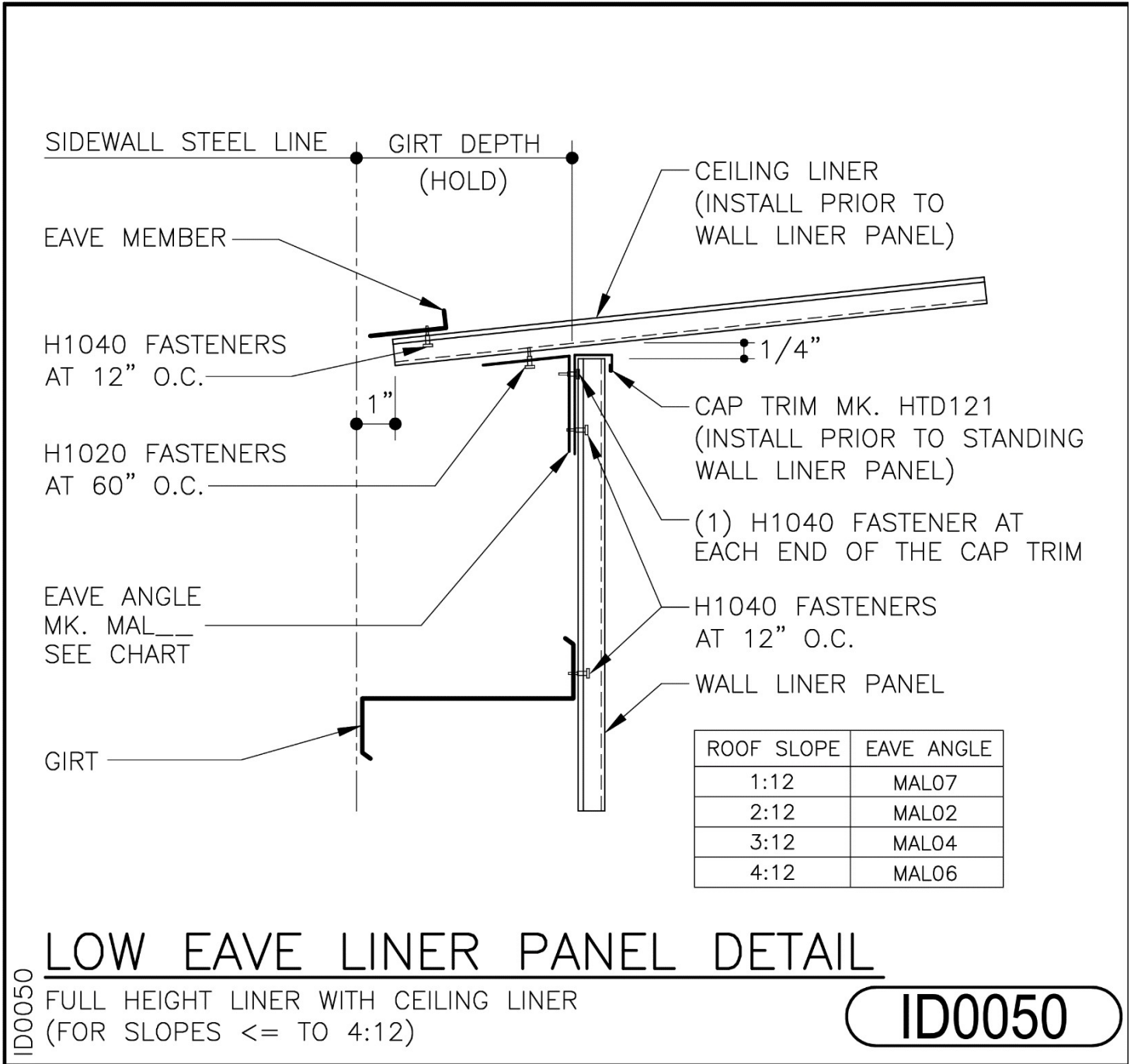


ID0010

ID0060 – HIGH EAVE DETAIL



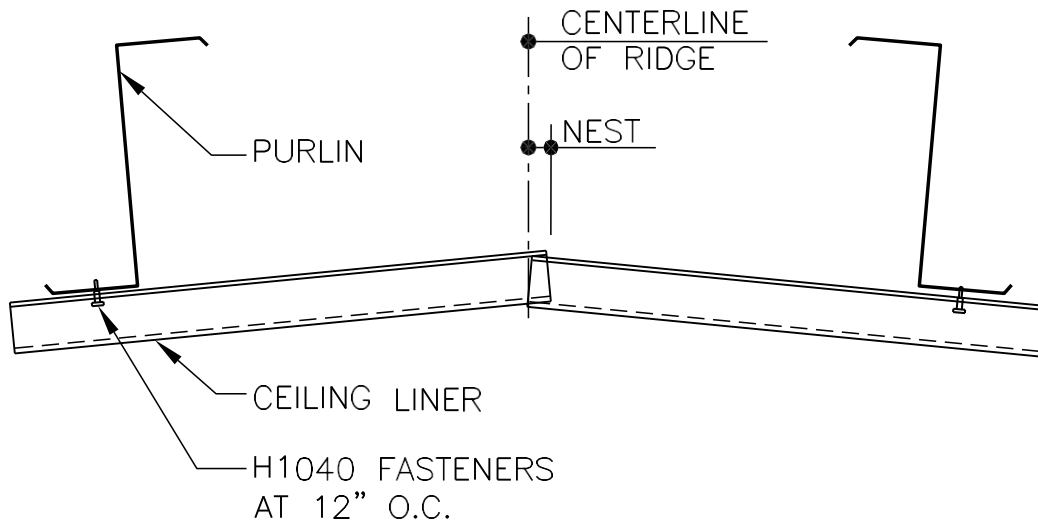
ID0050 – LOW EAVE W/ WALL & ROOF LINER



IF0010 – RIDGE LINER PANEL DETAIL

ERECTOR NOTE:

EXTEND THE LINER PANEL PAST CENTERLINE ON ONE SIDE OF THE RIDGE, ENOUGH TO NEST INSIDE OF MATING PANEL. THE PANEL LOCATION AT THE LAP OR EAVE WILL VARY DUE TO THE PANEL OFFSET.

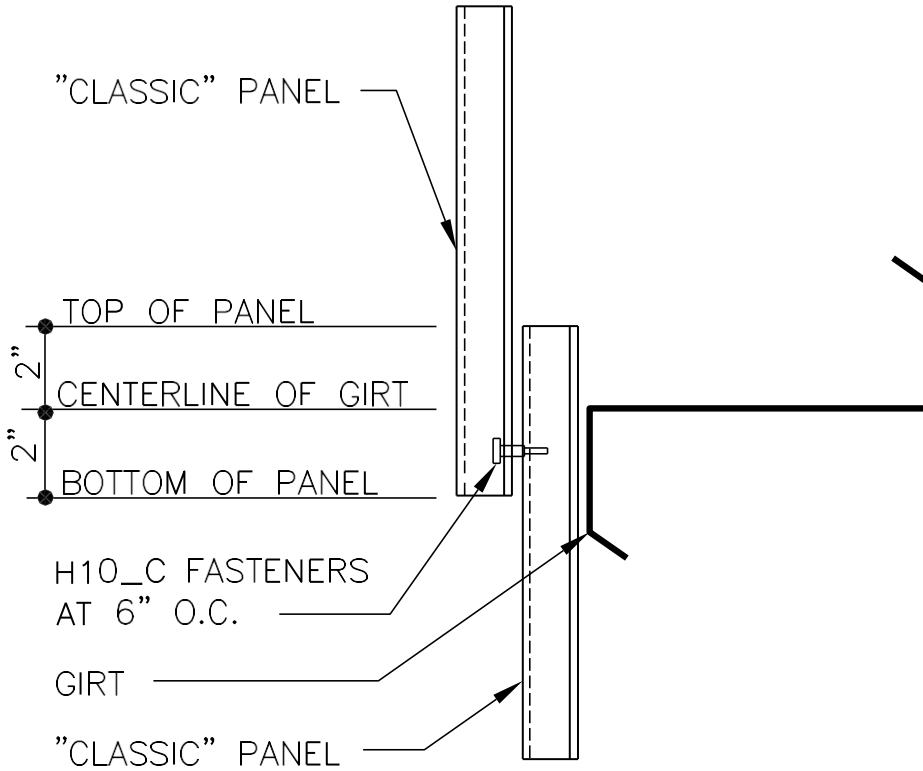


RIDGE LINER PANEL DETAIL

ROOF LINER (<= 1:12 SLOPE)

IF0010

GA0052 – CLASSIC WALL – SIDING LAP

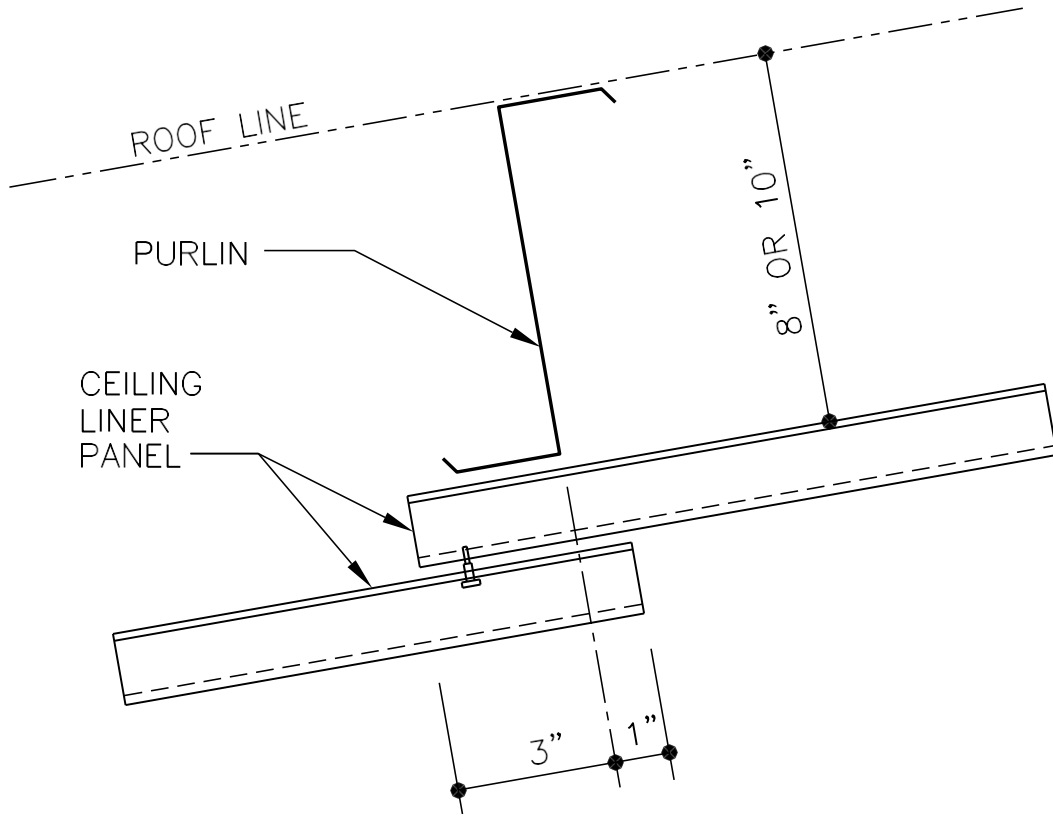


STANDARD WALL PANEL LAP

"CLASSIC" PANEL

GA0052

IA0080 – ROOF LINER PANEL LAP DETAIL



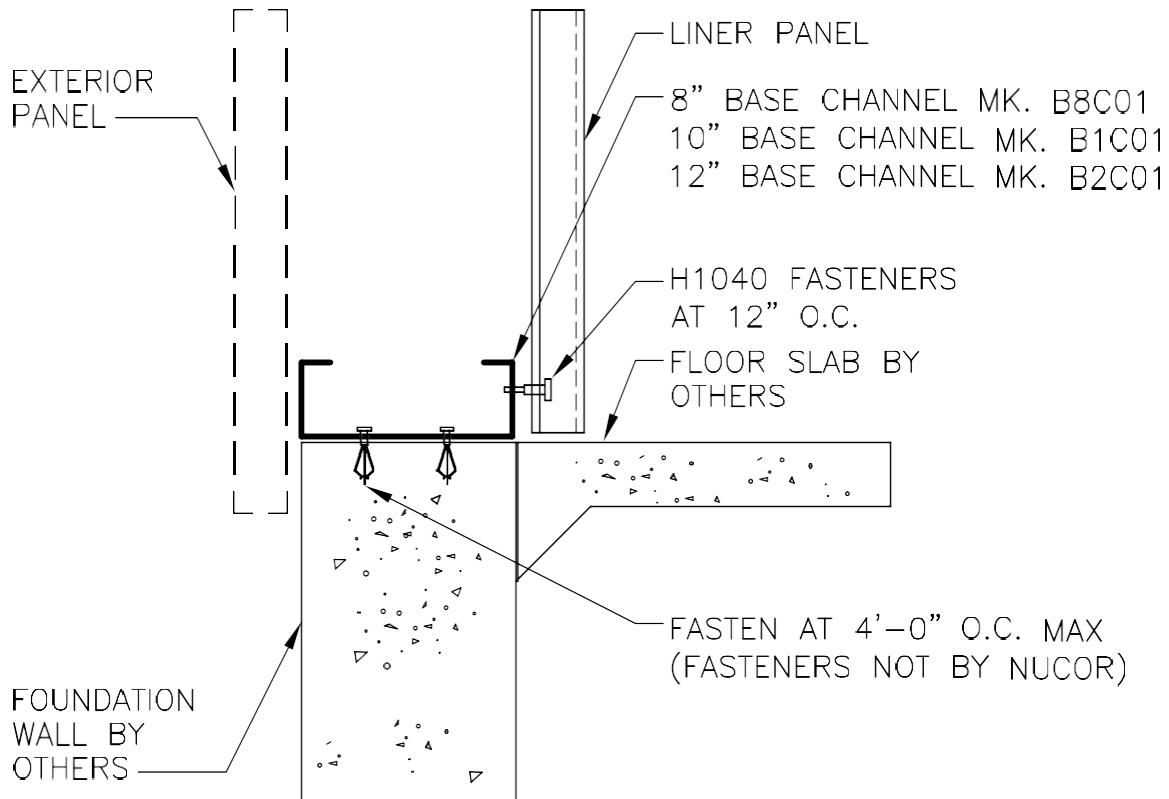
CEILING LINER PANEL LAP DETAIL

IA0080

IC0020 – FINISHED FLOOR BASE DETAIL W/ BASE CHANNEL

ERECTOR NOTE:

PANEL SCREWS MUST ENGAGE THE BASE CHANNEL, FIELD NOTCHING OF THE BASE CHANNEL MAY BE REQUIRED AT THE COLUMNS AND CORNERS

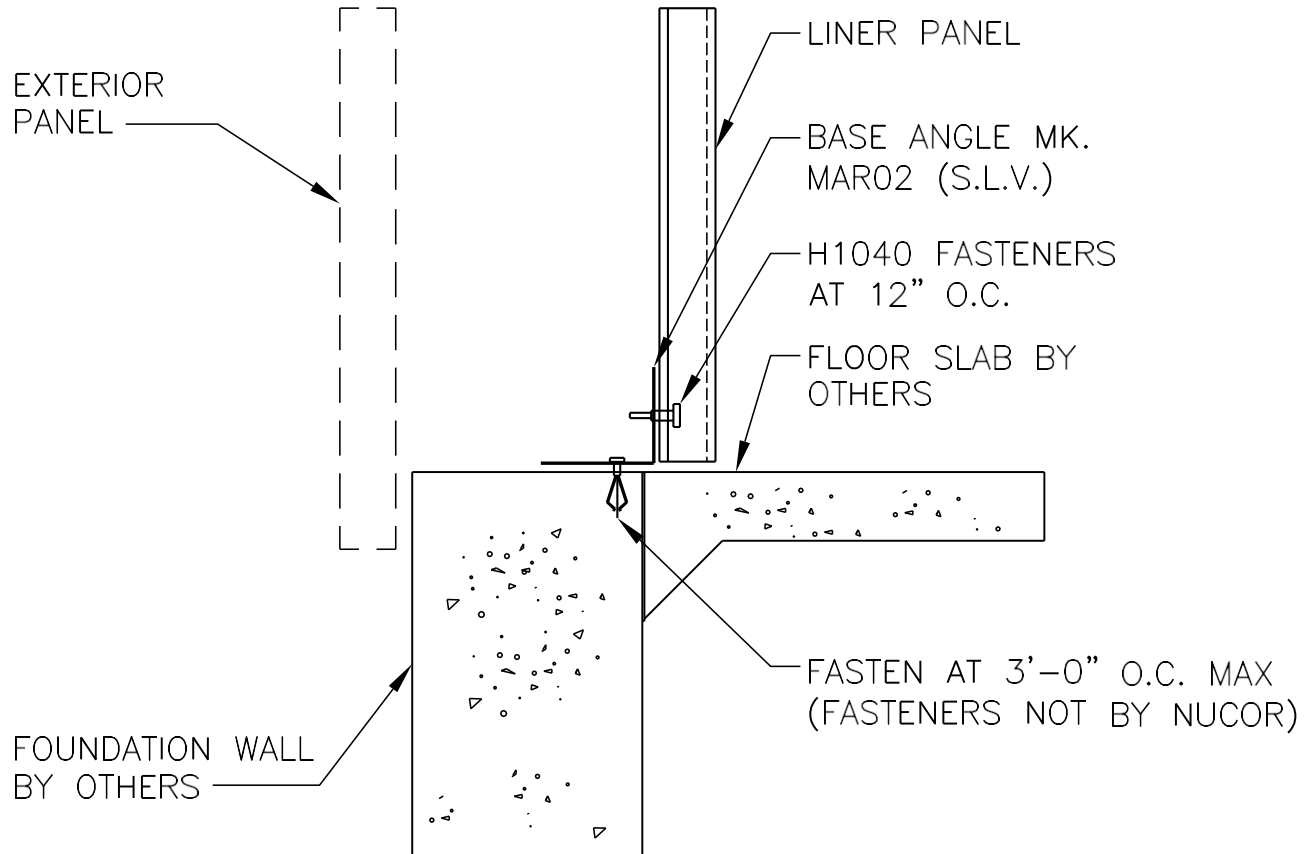


FINISHED FLOOR BASE DETAIL

LINER PANEL WITH BASE CHANNEL

IC0020

IC0010 – FINISHED FLOOR BASE DETAIL W/ BASE ANGLE



FINISHED FLOOR BASE DETAIL

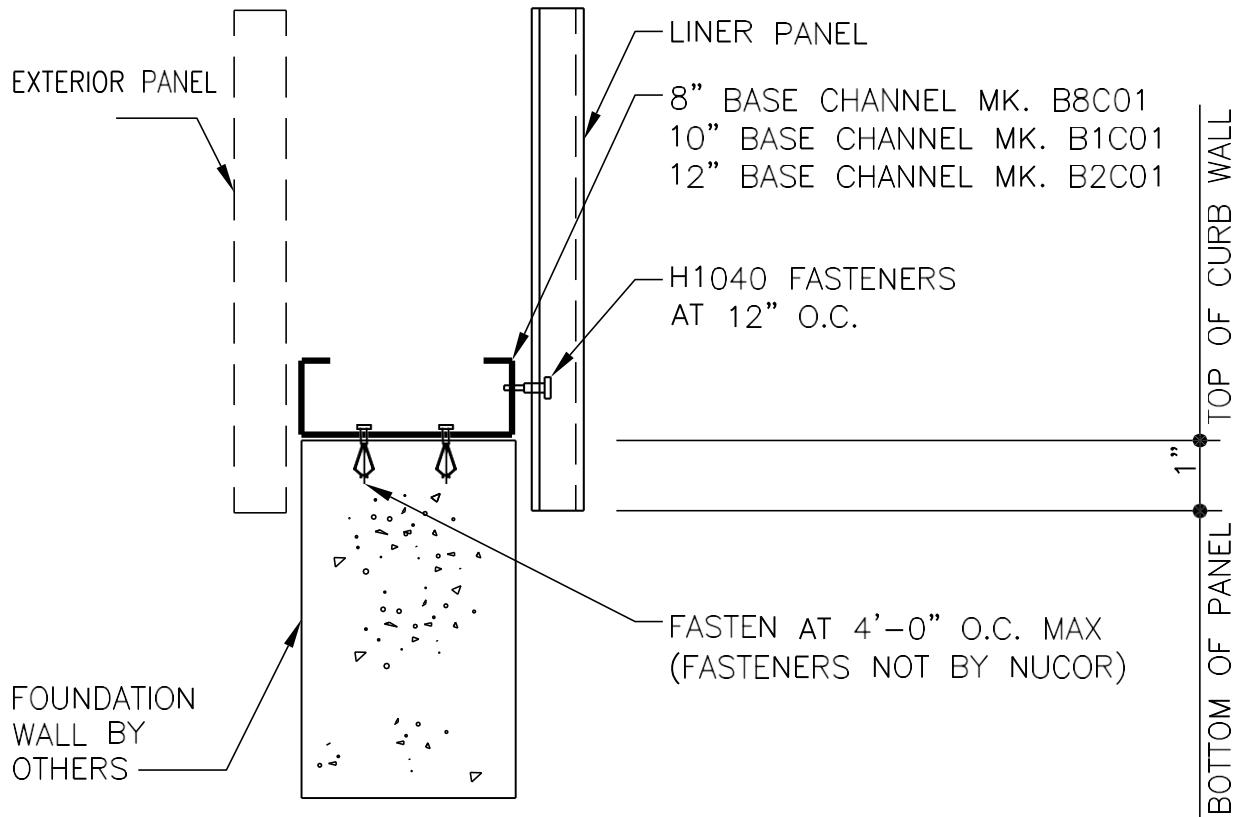
LINER PANEL WITH BASE ANGLE

IC0010

IC0040 – CURB WALL W/ BASE CHANNEL

ERECTOR NOTE:

PANEL SCREWS MUST ENGAGE THE BASE CHANNEL, FIELD NOTCHING OF THE BASE CHANNEL MAY BE REQUIRED AT THE COLUMNS AND CORNERS

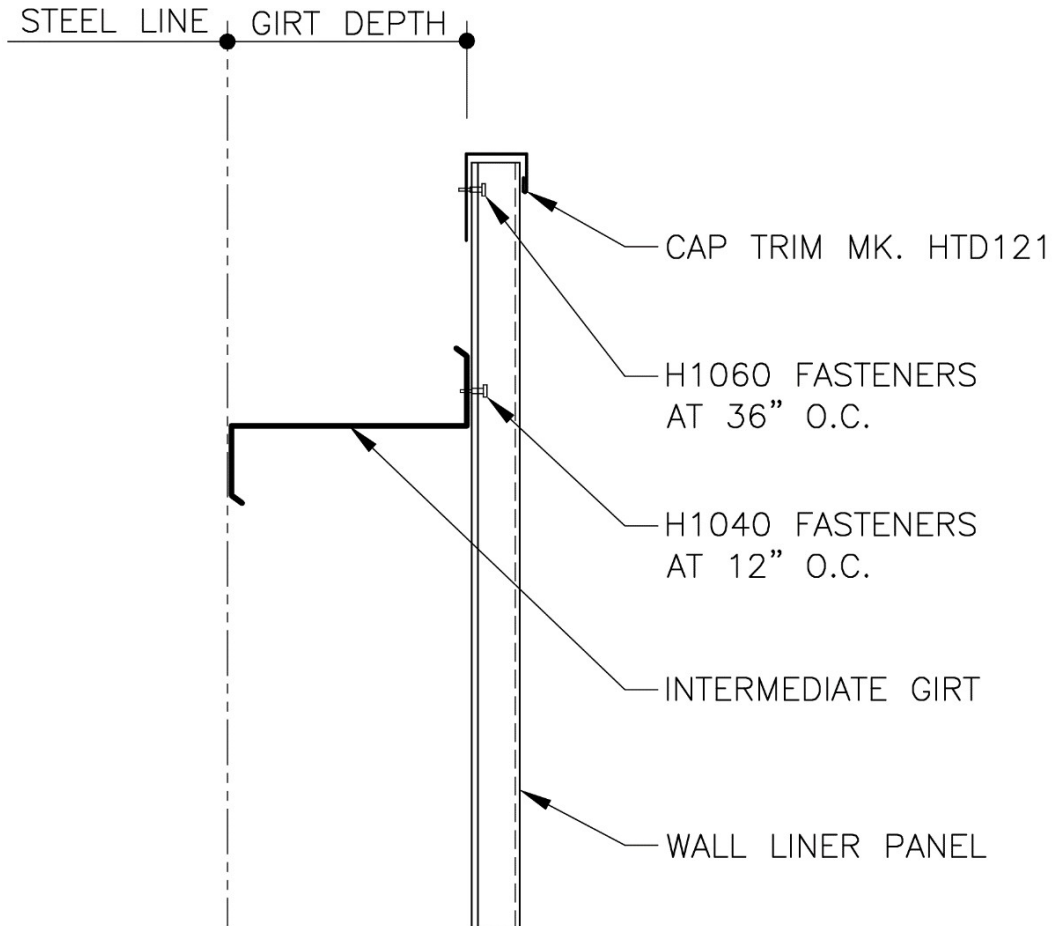


TOP OF CURB WALL DETAIL

LINER PANEL WITH BASE CHANNEL

IC0040

ID0100 – CAP TRIM @ PARTIAL HEIGHT WALL LINER

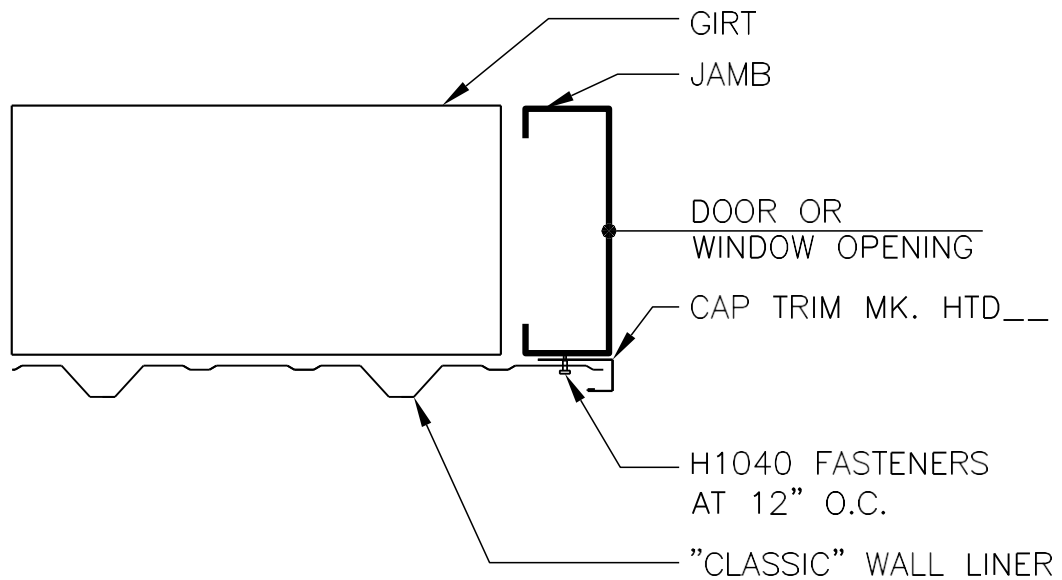
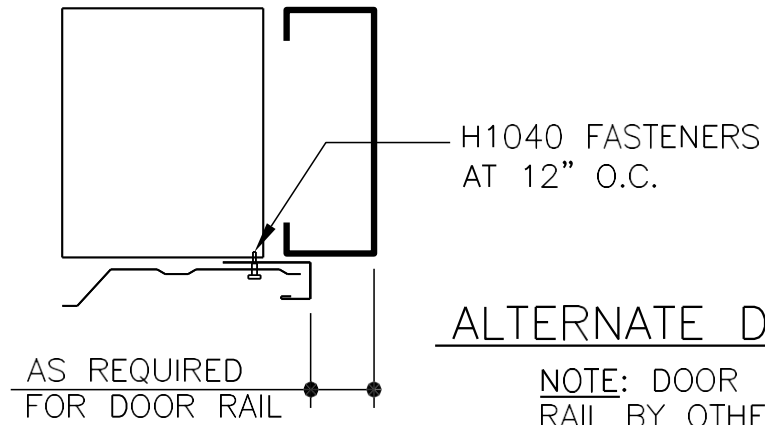


PARTIAL HEIGHT LINER PANEL

PARTIAL HEIGHT WALL LINER

ID0100

IG0050 – FRAMED OPENING JAMB DETAIL @ CLASSIC LINER

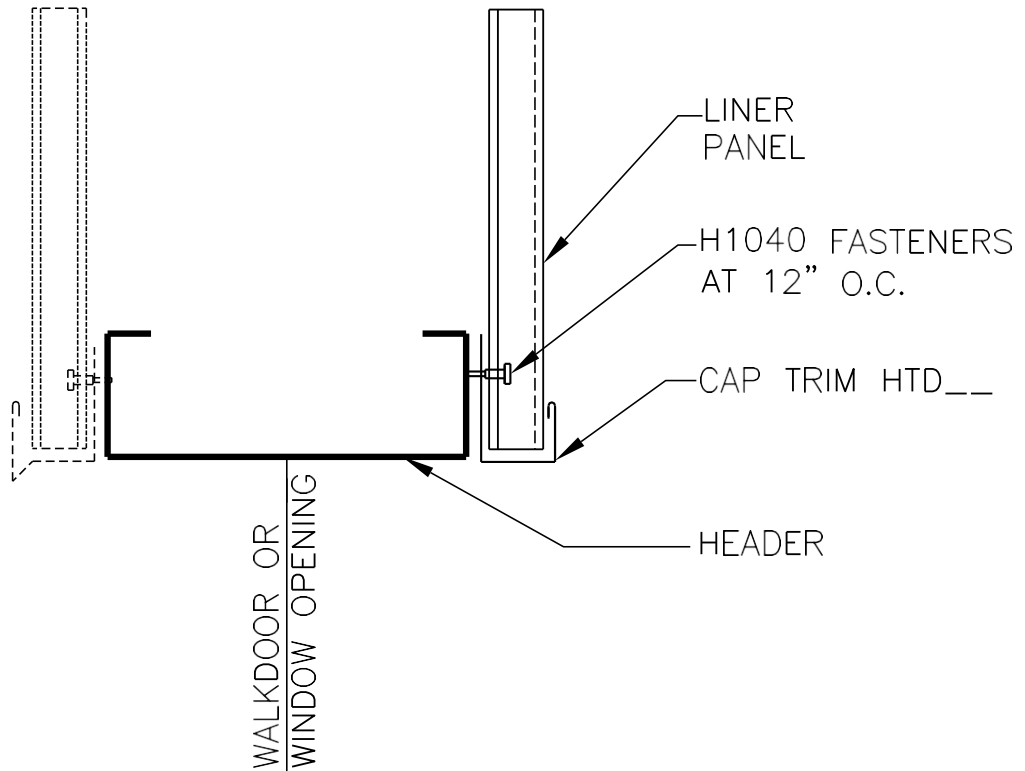


JAMB DETAIL

"CLASSIC" WALL LINER

IG0050

IG0090 – FRAMED OPENING HEADER DETAIL @ LINER PANEL

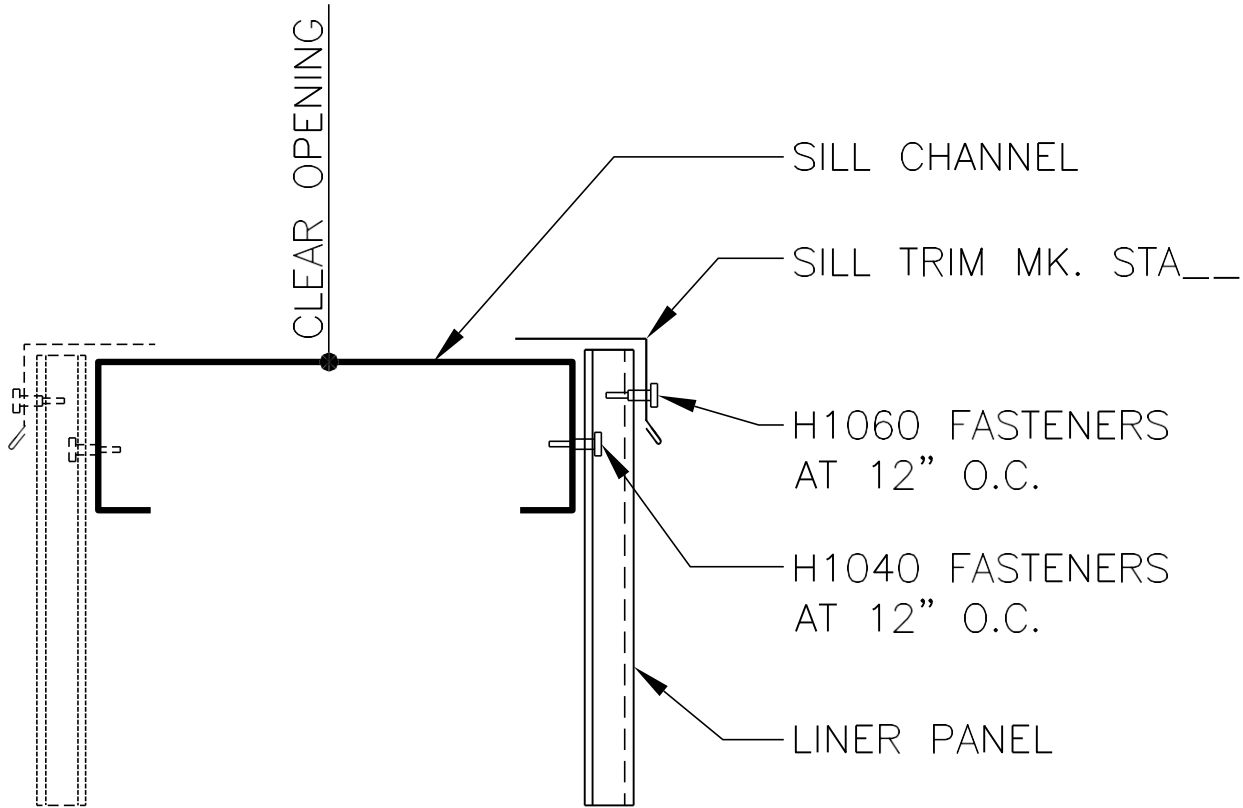


HEADER DETAIL

AT WALKDOOR OR WINDOW WITH LINER PANEL

IG0090

IG0100 – FRAMED OPENING SILL DETAIL @ LINER PANEL

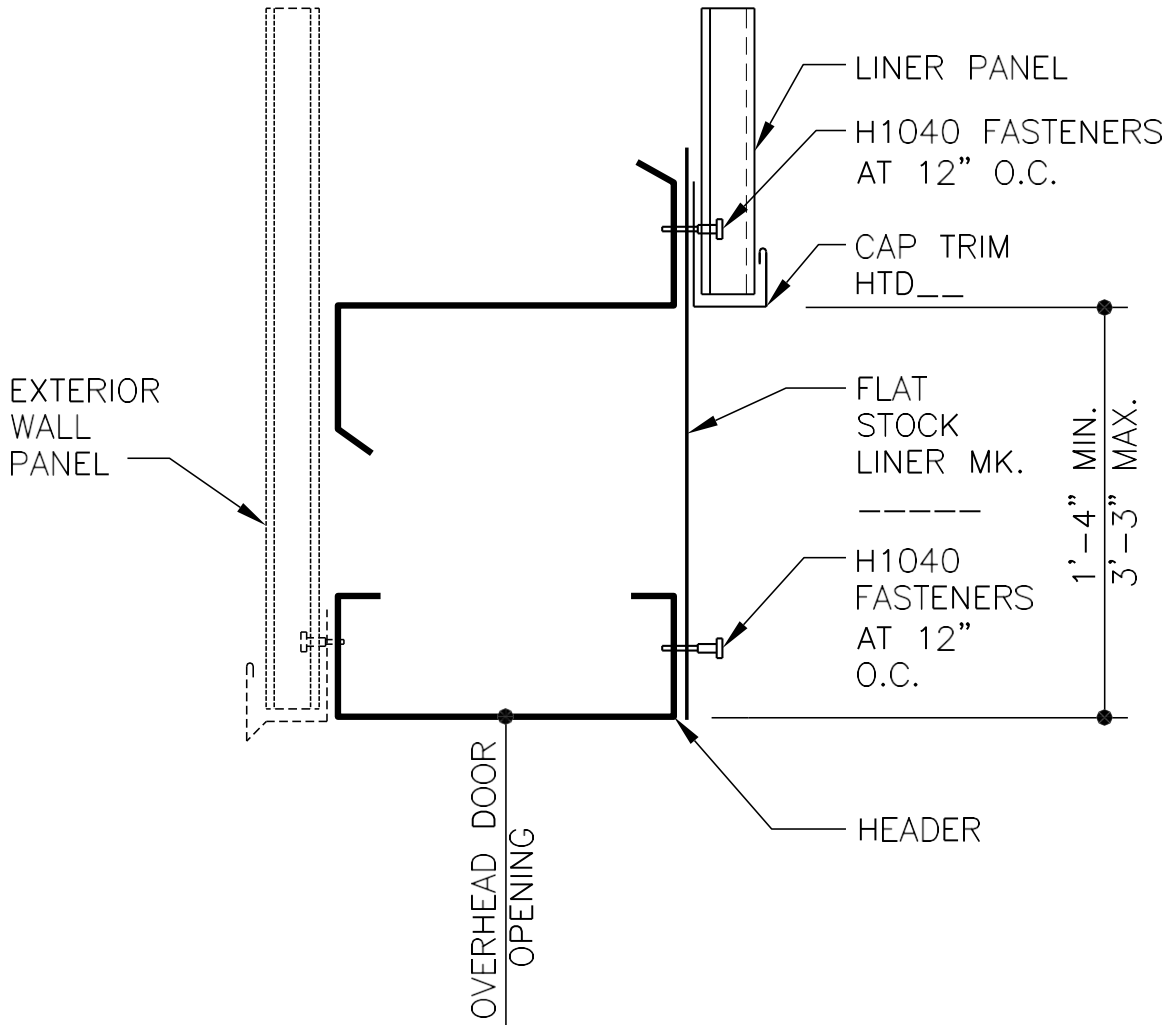


SILL DETAIL

AT LINER PANEL

IG0100

IG0080 – HEADER DETAIL @ FLAT STOCK LINER



HEADER DETAIL

AT OVERHEAD DOOR WITH FLAT STOCK LINER

IG0080